

ETF01A

ECOBUY's LED recessed troffer fixture delivers a superior replacement option for traditional fluorescent tube recessed troffer fixtures. Standard 2'x2' and 2'x4' troffer sizes available to suit any office application and layout. This recessed luminaire can be used for general office lighting, providing suitable light without any of the maintenance issues associated with fluorescent tubes. Installation is quick and simple when mounting into standard T-grid suspended ceiling systems.

Constructed with a durable steel housing body and LED lifetime rating of at least 75,000 hours, this troffer is designed for many years of reliable.



Features & Specifications

Optical System

- High transmission impact resistant diffuse acrylic radius lens eliminates bright spots from individual LED's and provides high vertical illumination and visual comfort.
- Use of closely spaced medium-power, high brightness chips minimizes pixelation and provides uniform lens luminance.
- Available in 3500K, 4000K and 5000K color temperatures.
- Minimum CRI of 80.

Electrical

- High-performance driver features over-voltage, under voltage, short-circuit and over temperature protection.
- 0-10 volt dimming (10% - 100%) standard.
- Standard Universal voltage (120-277 Vac) Input 50/60Hz.
- L70 Calculated Life: >75,000 Hours
- Total harmonic distortion: <20%
- Power factor: >0.90
- Input power stays constant over life.

Construction

- Rigid reflector and end sections are die-formed cold rolled steel for consistency and strength.

Warranty

- ECOBUY LED Fixtures carry a 5-year warranty.

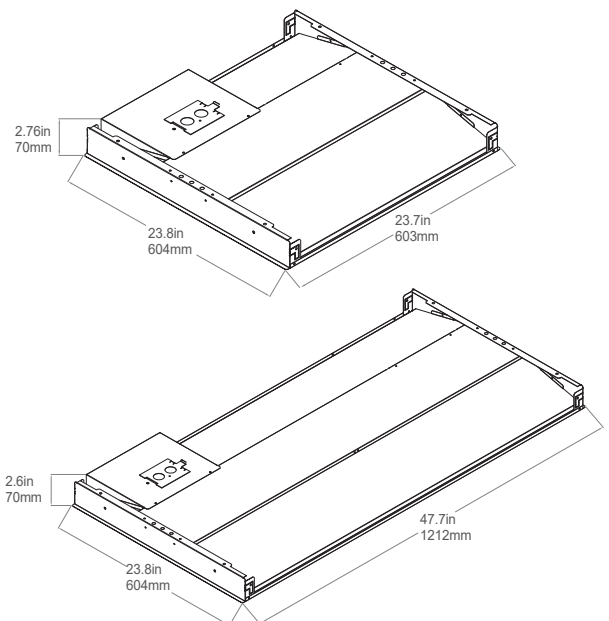
Listings

- Listed to UL 1598 and UL 8750 for 25°C Ambient applications.
- RoHS Compliant.
- Lighting Facts Approved.
- Suitable For Damp Locations.

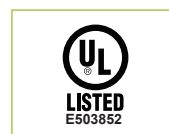
Dimensions

Specifications subject to change without notice.

All dimensions are inches unless otherwise indicated.



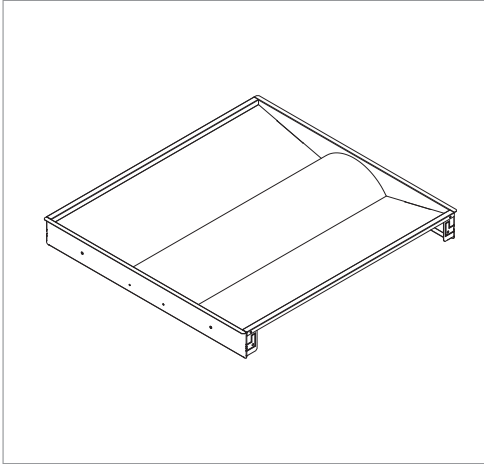
	PACKAGE SIZE	G.W
2x2	25.4"x24.2"x3.35"	12.1lbs
2x4	49.4"x24.2"x3.35"	21.1lbs



ETF01A

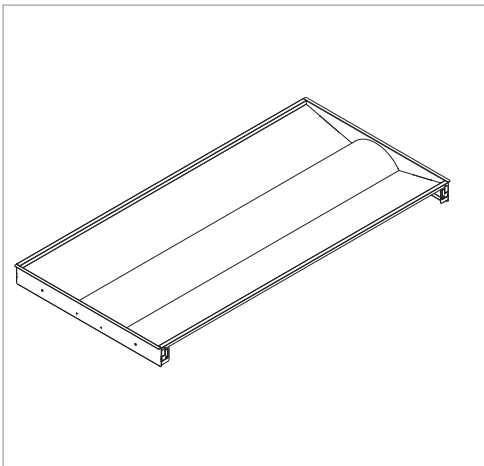
Performance Data

Model:ETF01A22D/XXX/YY/ZZZ/yy
(XXX-WATTS,YY-VOLT,ZZZ-CRI&CCT,yy-Finish color)



WATTS	29W
NOMINAL LUMENS	3654
EFFICIENCY(LPW)	126
CRI	80+
POWER FACTOR	>0.9
INPUT VOLTAGE	AC120-277V, 50/60Hz
COVER MATERIAL	PMMA
L70	>75,000h
DLC	Premium
CCT	3500K/4000K/5000K

Model:ETF01A24D/XXX/YY/ZZZ/yy
(XXX-WATTS,YY-VOLT,ZZZ-CRI&CCT,yy-Finish color)



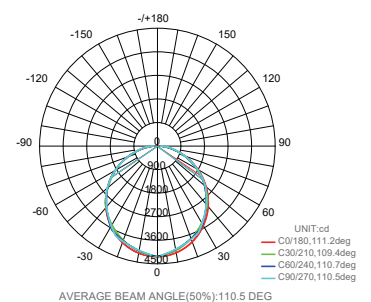
WATTS	39W
NOMINAL LUMENS	5070
EFFICIENCY(LPW)	130
CRI	80+
POWER FACTOR	>0.9
INPUT VOLTAGE	AC120-277V, 50/60Hz
COVER MATERIAL	PMMA
L70	>75,000h
DLC	Premium
CCT	3500K/4000K/5000K

Ordering Matrix

TYPICAL ORDER EXAMPLE: ETF01A 22D 029 AL 830 WH

Family	Length	Watts	Voltage	CRI & Color Temp	Finish
ETF01A	22D	029	AL	830	WH
	22D	029=29W	AL=AC120-277V	830=CRI83&CCT3000K	WH=White
	24D	039=39W		840=CRI83&CCT4000K	

LUMINOUS INTENSITY DISTRIBUTION DIAGRAM



ECOObuy INC.

Installation/Retrofit Guide



Warning: Important Safety Instructions. Risk of Fire or Electric Shock. Read ALL Installation Instructions before installing ECOObuy luminaires. DO NOT Remove Cover. No User-Serviceable Parts inside.

Thank you for purchasing ECOObuy luminaires and for investing in the future of eco-friendly products. By selecting ECOObuy luminaires, you have chosen a high-quality, eco-friendly product that is designed for years of dependable performance. We stand behind our products and are confident that you will have a peace of mind knowing that it is a reliable product.

This guide explains the steps necessary to install ECOObuy luminaires in a fixture. It is for reference only and is intended for qualified electricians or lighting technicians who are familiar with the construction and operation of the product and the hazards involved. Wiring modification for ECOObuy luminaires installation requires knowledge of luminaire electrical systems. If not qualified, DO NOT attempt this installation – Contact a qualified electrician or a lighting technician.



Warning: Before conducting any inspection, installation, maintenance, disable all power to the luminaire. ECOObuy luminaires are designed to work with AC 120V - 277V. Ballast (if equipped) MUST be bypassed or removed from the fixture before installing the ECOObuy luminaire. See "Wiring Diagram" on backside. Failure to follow instructions can result in a damaged product and will VOID the Warranty. It could also result in an electric shock, or fire.

- Disable all power to luminaire before conducting any inspection, installation, maintenance, or removal. Failure to do so will create a hazardous and potentially fatal working environment.
- For use in Dry Locations. Do not use where directly exposed to Liquid, Vapor, Rain or Weather. Non-Submergible (not water tight).
- The installer must determine and verify whether the supply voltage is the same as the rated luminaire voltage before installation. Improper voltage matching can result in performance degradation and/or physical damage. These luminaires work on line voltage and require all Ballasts and Starters to be bypassed.
- Operate in fixtures that provide the free flow of air around the luminaires. In enclosed fixtures, ensure the luminaires have enough space for heat dissipation. This will ensure lumen maintenance and extend its lifespan. When luminaires are used inside an outdoor enclosure, ensure the enclosure is waterproof and well ventilated.
- Not intended for use in emergency exit fixtures or exit lights. Be suited to use with a dimmer or remote controls.
- Luminaire wiring, Ballast, or other electrical parts may be damaged during installation. Always check for loose wiring and components.
- To prevent wiring damage or abrasion, do not expose wiring to edges of sheet metal or other sharp objects.
- Do not make or alter any open holes in an enclosure for wiring or electrical components during installation.
- Do not block light emanating from luminaires in whole or part, as this may cause an unsafe condition.
- Installing surge/lightning protectors is highly recommended and helps to eliminate premature driver failure caused by surges and other power fluctuations.



This product can expose you to chemicals including (name of one or more chemicals), which is (are) known to the State of California to cause cancer. For more information go to WWW.P65Warnings.ca.gov

LED Volumetric Troffer Light Installation Instructions

IMPORTANT

READ INSTRUCTIONS CAREFULLY BEFORE INSTALLING. KEEP THESE INSTRUCTIONS FOR FUTURE REFERENCE.

- This Luminaires must be wired in accordance with the National Electrical Code and all applicable local codes. Proper grounding is required for safety.
- THIS PRODUCT MUST BE INSTALLED IN ACCORDANCE WITH THE APPLICABLE INSTALLATION CODE BY A QUALIFIED ELECTRICIAN WHO IS FAMILIAR WITH THEIR CONSTRUCTION AND OPERATION OF THE PRODUCT AND THE HAZARDS INVOLVED.

IMPORTANT

Do not use this product for other than intended use. To prevent early product failure, Luminaire should only be used in operating environments ranging from -20 C (-4°F) to 40 C (104°F).

WARNING --Risk of fire or electric shock

- Turn off electrical power at fuse or circuit breaker box before wiring Luminaire to the power supply
- Turn off the power when you perform any maintenance
- Verify that supply voltage is correct by comparing it with the luminaire label information
- Make all electrical and grounded connections in accordance with the National Electrical Code and any applicable local code requirements
- All wiring connections are recommended be capped with UL approved wire connectors
- Keep combustible and other materials that burn away from luminaire
- MINIMUM 90 C SUPPLY CONDUCTORS.

WARNING --Risk of injury

- Wear gloves and safety glasses at all times when removing luminaire from carton, installing, servicing or performing maintenance
- Avoid direct eye exposure to the light source while it is on.
- Account for small parts and dispose packing material, as these may be hazardous to children.

Cleaning and Maintenance

CAUTION: Do not clean or maintain while the luminaire is energized, Check that the luminaire temperature is cool enough to touch. Periodically check and remove any accumulated dirt or debris from the lens and around luminaire

- 1> Clean lens with non-abrasive glass cleaning solution.
- 2> Do not open the luminaire to clean the LED chips, do not touch the LED chips.

Replacement Parts:

Contact your sales representative for replacement part availability or contact ELECALL

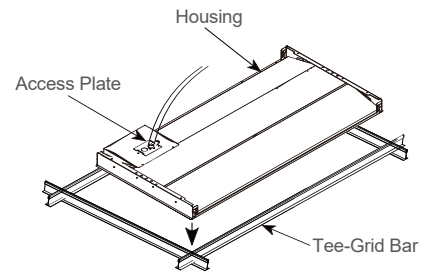
Warning:

All units must be individually connected to the AC supply; select appropriate access point for your installation, remove knockout, and feed power leads through hole.

MOUNTING INSTRUCTIONS

Recessed Ceiling Mounting

The fixture is suitable only for INDOOR RECESSED CEILING application.



0-10V DIMMABLE WIRING

Universal voltage driver permits operation at 120V thru 277V, 50 or 60 Hz. For 0-10V Dimming, follow the wiring directions in Fig. 1.

1. Connect the black fixture lead to the LINE supply lead.
2. Connect the white fixture lead to the COMMON supply lead.
3. Connect the GROUND wire from fixture to supply ground.
4. Connect the purple fixture lead to the (V+) DIM lead.
5. Connect the gray fixture lead to the (V-) DIM lead.
6. Cap the yellow fixture lead, if present. Do NOT connect.

NOTE: Do not connect DIM V+ (purple)/ DIM V- (gray) to line voltage or supply ground.

Figure 1

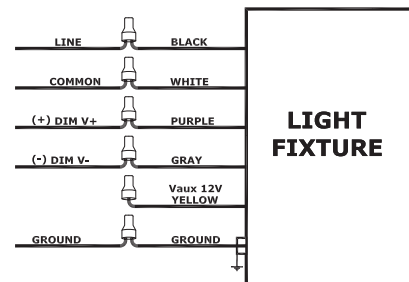
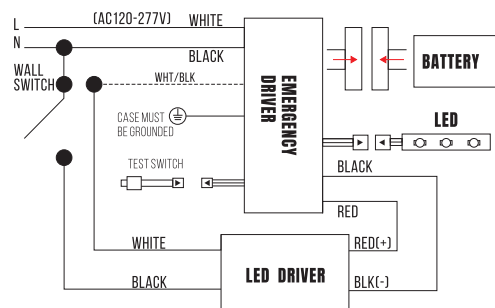


Figure 2 Optional wiring Diagram



Warranty information:

This product is warranted for 5 years from the date of purchase. If this product does not perform to their specifications supplied on this package, contact your sales representative or ELECALL for product return and replacement, This replacement is the sole remedy available.

LIMITED WARRANTY

ECOBUY Inc. warrants to the original purchaser that all products sold will be free from defects in material and workmanship for a period of five (5) years from the date of original purchase. Special and custom orders carry ONLY one year warranty unless stated expressly. All returns must be approved and returned with shipping prepaid in original condition and in their original packaging.

If any product covered by this limited warranty is returned by the original purchaser and found to be defective, ECOBUY will, at its own discretion, repair or replace the product, or reimburse the original purchaser for the purchase price. ECOBUY will bear any freight cost that arises from shipping the replacement product back to the purchaser. If ECOBUY chooses to replace the product, and the particular product is not available, ECOBUY may have the discretion to replace it with a comparable product.

The limited warranty may be voided due to the following conditions:

- Purchaser's continuing use of products after reporting the defect .
- Purchaser fails to store, install, operate, or maintain applicable products in accordance with ECOBUY's operating instruction, or adhere to any of the electric codes, such as the National Electric Code (NEC), the Standards for Safety of Underwriters Laboratories (UL), or the American National Standards for the American National Standards Institute (ANSI).
- Purchaser alters, repairs or has service performed on the applicable product without ECOBUY's prior written consent.
- Damage or failure to perform arising from any abuse, misuse, abnormal use, improper power supply, power surges, use of unauthorized components, vandalism, or in the event of Force Majeure.

THIS LIMITED WARRANTY SET FORTH ABOVE IS THE ONLY EXCLUSIVE WARRANTY GIVEN BY ECOBUY WITH RESPECT TO THE PRODUCTS AND SOLE REMEDY FOR ANY AND ALL CLAIMS, AND NO OTHER WARRANTIES OR ANY KIND, WHETHER STATUTORY, ORAL, WRITTEN, EXPRESSED OR IMPLIED WARRANTIES OF MERCHANTABILITY OR FITNESS FOR A PARTICULAR PURPOSE SHALL APPLY. UNDER NO CIRCUMSTANCES SHALL ECOBUY BE LIABLE FOR ANY INDIRECT, CONSEQUENTIAL OR COMPENSATORY DAMAGES, INCLUDING, WITHOUT LIMITATION, DAMAGES RESULTING FROM LOSS OF USE, PROFITS, BUSINESS OR GOODWILL.

Warranty terms and policies are subject to change without notice.